

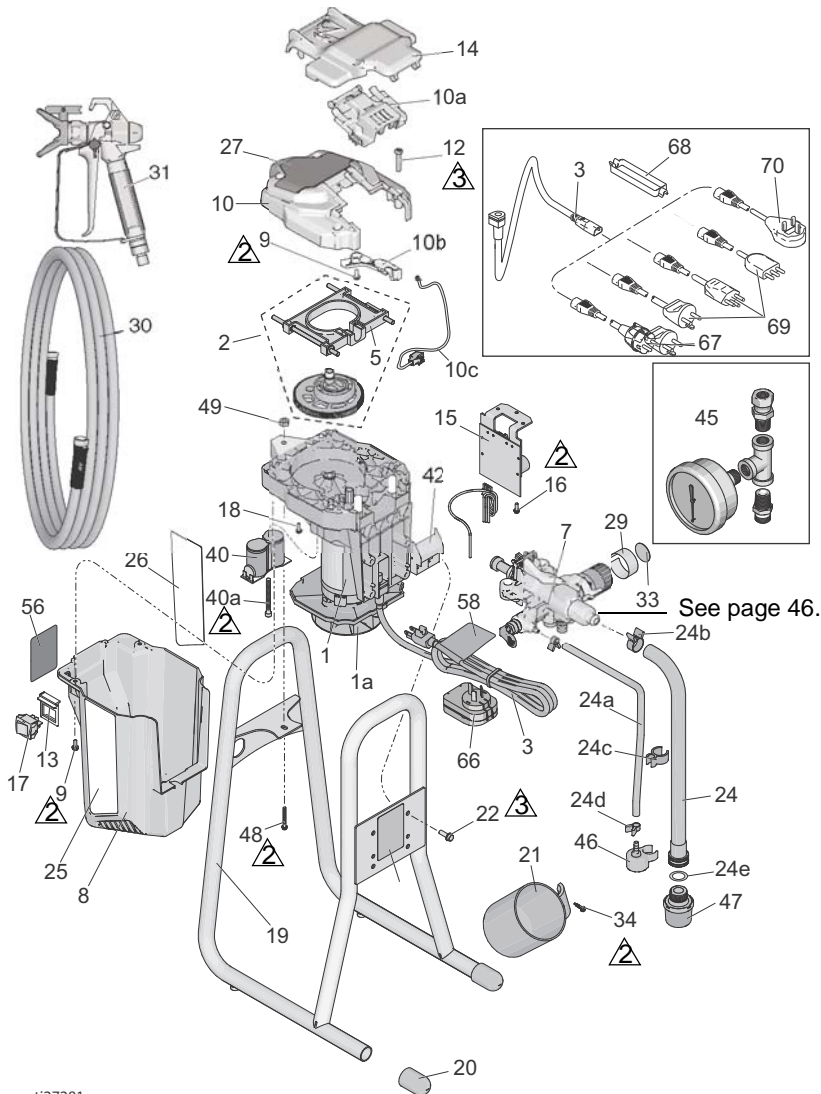


# 24Y680, 17G183, 17H218, 17H219, 17H221

## 24Y680, 17G183, 17H218, 17H219, 17H221 DI Stand Sprayers

Ref.	Torque
	30-35 in-lb (3.5 - 4.0 N•m)
	110-120 in-lb (12 - 14 N•m)



ti27281a

# 24Y680, 17G183, 17H218, 17H219, 17H221

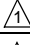
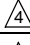
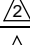
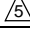
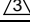
## 24Y680, 17G183, 17H218, 17H219, 17H221 DI Stand Sprayers Parts List

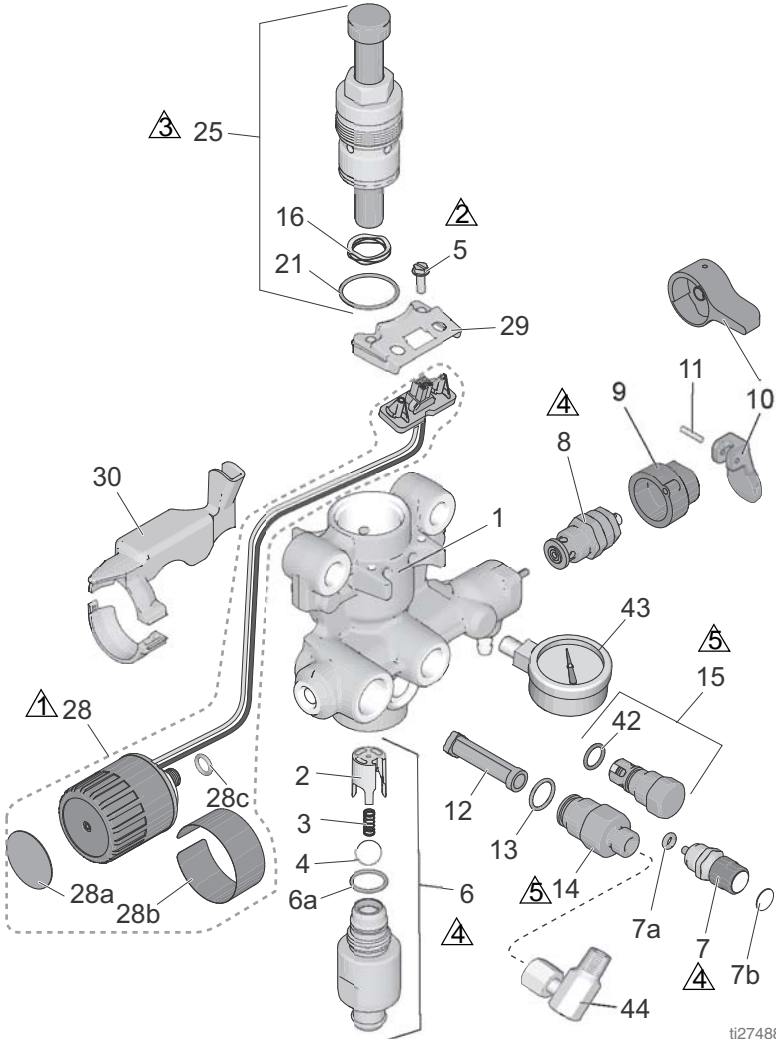
Ref. Part	Description	Qty.	Ref. Part	Description	Qty.
1	KIT, motor <i>includes 1a</i>		24	17D161 TUBE, suction, assembly <i>includes 24a-24e, 46, 47</i>	1
	17K684 120V, Model 24Y680	1	24a	195108 TUBE, drain	1
	17F758 230V, Models 17G183, 17H218, 17H219, 17H221	1	24b	116295 CLAMP, tube	1
1a	16X980 KIT, fan	1	24c	195400 CLIP, tube	1
2	KIT, gear and yoke <i>includes 5</i>		24d	115489 CLAMP, drain tube	2
	17J869 Model 24Y680	1	24e	115099 WASHER, hose	1
	17J863 Models 17G183, 17H218, 17H219, 17H221	1	25	17J029 LABEL, right	1
3	CORD, power		26	17J030 LABEL, left	1
	17J173 120V, Model 24Y680	1	27	17J028 LABEL, front	1
	17J174 230V, Model 17H219, 17H221	1	30	247340 HOSE, cpld, 1/4 in. x 50 ft	1
	17J175 230V, Model 17G183	1	31	GUN, spray	
	17J405 230V, Model 17H218	1		17J910 Models 24Y680, 17G183, 17H218, 17H221	1
5	17J864 KIT, yoke	1		16X214 Model 17H219	1
7	17J908 PUMP, displacement	1	34	122667 SCREW, drill, HWH	1
8	SHIELD, motor <i>includes 9, 56</i>		40	24Y782 KIT, board, capacitor, 230V Models 17G183, 17H218, 17H219, 17H221	1
	17K688 Model 24Y680	1	40a	SCREW	1
	17J865 Models 17H219, 17H221	1	41	17J444 SRAP, carry	1
	17J887 Models 17G183, 17H218	1	42	17J277 TRAY, drip	1
9	118444 SCREW, mach, hwhd 10-24 x 0.5 in.	2	45	245856 KIT, gauge, pressure Models 17G183, 17H218	1
10	17J866 KIT, cover, frt <i>includes 9, 10a, 10b, 10c, 12</i>	1	46	244035 DEFLECTOR, barbed	1
10a	17F233 COVER, pump, locking	1	47	288716 STRAINER	1
10b	17F262 COVER, wire	1	48	120736 SCREW, hex, flange	1
10c	128551 CABLE, PC, jumper	1	49	102040 NUT, lock, hex	1
12	115478 SCREW, mach, Torx, pan hd	4	56▲	LABEL, warning	
13	SWITCH, bracket		157018	Models 24Y680, 17H221	1
	15J803 Models 24Y680, 17H219, 17H221	1	16G596	Models 17G183, 17H218	1
	15X737 Models 17G183, 17H218	1	17K016	Model 17H219	1
14	17J618 SHIELD, paint	1	57▲	CARD, medical alert (not shown)	
15	KIT, control <i>includes 15a, 16</i>			222385 EN, ES, FR	1
	17J867 120V, Model 24Y680	1		17A134 EN, ZH, KO	1
	17J885 230V, Models 17G183, 17H218, 17H219, 17H221	1	58▲	LABEL, warning cord	
15a	119276 FUSE, 12.5A slow blow	1	17K020	Models 24Y680, 17H221	1
16	117501 SCREW, plastite	1	15H087	Model 17H219	1
17	118899 SWITCH, rocker	1	66	127442 PLUG, converter, Models 17H219, 17H221	1
18	115498 SCREW, mach, slot, hex whd	1	67	242001 CORDSET, EU Model 17H218	1
19	17F940 FRAME, direct immersion	1	68	195551 RETAINER, plug Model 17H218	1
20	15G857 CAP, leg	2	69	287121 CORDSET, Italy/Denmark/Sweden Model 17H218	1
21	15G838 CUP, suction/drain	1	70	17J242 CORDSET, UK Model 17H218	1
22	128795 SCREW, hwh, thread forming	4			

▲ Replacement Danger and Warning labels, tags, and cards are available at no cost.

# Pump Assembly

## Pump Assembly

Ref.	Torque	Ref.	Torque
 1	140-160 in-lb (16 - 18 N•m)	 4	220-250 in-lb (25 - 28 N•m)
 2	270-330 in-lb (30 - 37 N•m)	 5	320-380 in-lb (36 - 43 N•m)
 3	30-35 ft-lb (40 - 48 N•m)		



## Pump Parts List

Ref. Part	Description	Qty.	Ref. Part	Description	Qty.
1	17G447 HOUSING, pump	1	11	111600 PIN, grooved Models 17H211, 17H214	1
2	17D364 GUIDE, ball	1	12	288747 KIT, filter (Not installed on all models.)	1
3	128336 SPRING, compression	1	13	120776 PACKING, O-ring	1
4	105445 BALL, 0.5 in.	1	14	24Y327 KIT, repair outlet	1
5	117501 SCREW, mach, slot HWH	2	15	17J880 KIT, outlet valve repair	1
6	KIT, inlet housing <i>includes 2, 3, 4, 6a</i>		16	128323 SPRING, valve	1
	17J876 Models 24Y680, 17G183, 17H218, 17H219, 17H221	1	21	16D531 PACKING, O-ring	1
	17J877 Models 17H211, 17H214	1	25	24Y472 KIT, repair, piston pump <i>includes 16, 21</i>	1
	17J924 Models 17F924, 17G184, 17H222, 17H223	1	28	KIT, pressure control <i>includes 5, 28a, 28b, 28c, 29, 30</i>	
6a	124582 PACKING, O-ring	1	17J881	Models 17H211, 17H214	1
7	17J878 KIT, PushPrime <i>includes 7a, 7b</i>	1	17J927	Models 24Y680, 17F924, 17G183, 17G184, 17H218, 17H219, 17H221, 17H222, 17H223	1
7a	16P303 PACKING, O-ring	1	28a	15A464 LABEL, control	1
7b	LABEL, PushPrime		28b	17C831 LABEL, control	1
	17G540 Models 17H211, 17H214, 17F924, 17G183, 17G184, 17H218, 17H219, 17H221, 17H222, 17H223	1	28c	106555 O-ring	1
	17K420 Model 24Y680	1	29	17F227 BRACKET, electrical connector	1
8	KIT, valve, drain, <i>includes 9, 10, 11</i>		30	KIT, shield, wire	
	235014 Models 17H211, 17H214	1	17F229	Models 17H211, 17H214	1
	17J925 Models 24Y680, 17F924, 17G183, 17G184, 17H218, 17H219, 17H221, 17H222, 17H223	1	17J882	Models 24Y680, 17F924, 17G183, 17G184, 17H218, 17H219, 17H221, 17H222, 17H223	1
9	BASE, valve		42	122486 PACKING, O-ring	1
	224807 Models 17H211, 17H214	1	43	16X147 GAUGE, pressure Models 17F924, 17G184, 17H222, 17H223	1
10	HANDLE, valve, drain		44	155541 FITTING, swivel Models 17F924, 17G184, 17H222, 17H223	1
	187625 Models 17H211, 17H214	1			
	262601 Models 24Y680, 17F924, 17G183, 17G184, 17H218, 17H219, 17H221, 17H222, 17H223 <i>includes 11</i>	1			

230V

